

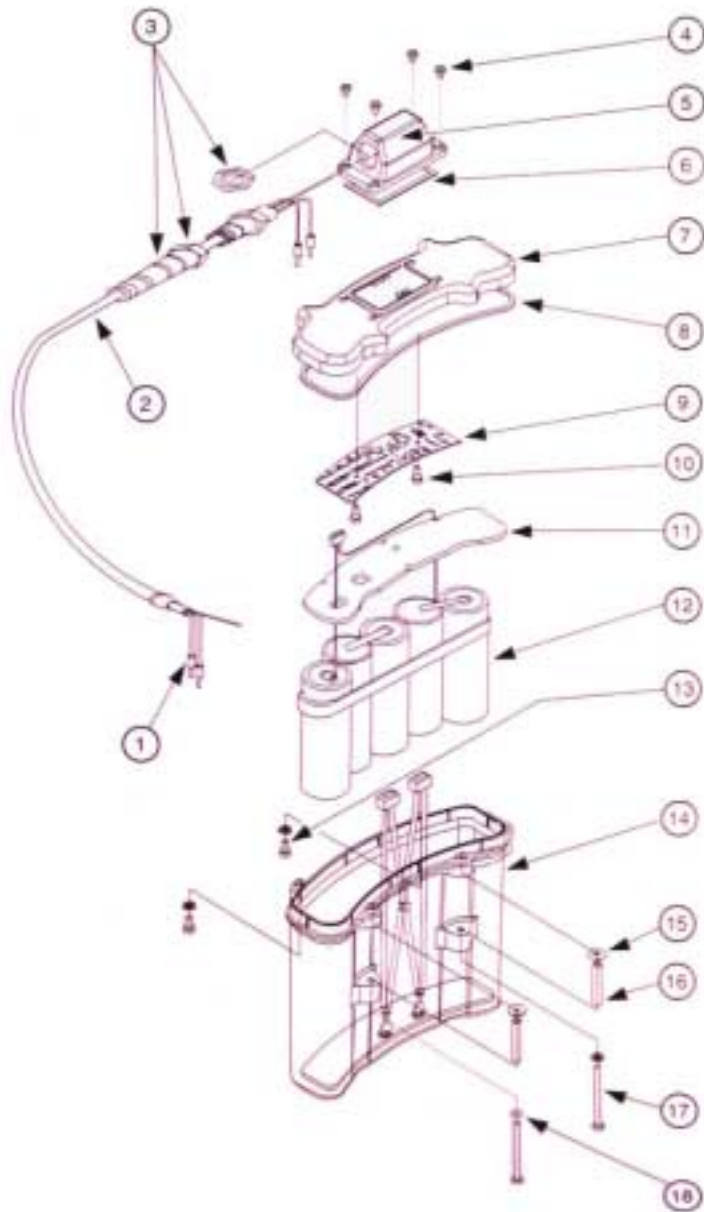


**EWS & CO. A.S.**

Mailing Address: P.O. Box 23 N-1332 Oesteraas, Norway  
 Phone: +47 67 14 86 40 Fax: +47 67 14 88 44 Email: ewsjr@ewsas.com

## Schematic Parts List; Battery and Cable Assembly Version GII Skjematisk Dele Liste; Batteri og Kabel Versjon GII

1. Terminal Pins  
**GS5203**
2. Cable Assembly  
**GC1000**
3. Strain Relief, Terminal Cover  
**GS6400**
4. Screws, Hex M3 x 6mm  
**GS6703**
5. Terminal Cover  
**GS8102**
6. Gasket, Terminal Cover  
**GS7301**
7. Battery Lid Assembly, incl. gasket  
**GB00002**
8. Gasket Lid  
**GS7302**
9. PCC Assembly  
**See Table Column A**
10. Screw, Phillips 1/4"  
**GS6704**
11. Retainer Plate  
**GS8501**
12. Battery Assembly  
**See Table Column B**
13. Screws, Hex M4 x 12mm  
**GS6702**
14. Battery Case Assembly  
**See Table, Column C**
15. Washer, Flat-M4  
**GS6502**
16. Spacer, Belt Loop  
**GS6901**
17. Screw, Hex M4 x 70mm  
**GS6701**
18. Washer, Lock-M4  
**GS6501**



Part #	Description	A Battery PCC	B Replacement Cell Pack	C Case Assembly
GL62D11	Cap Lamp For 10HR Shift	GB00D01	GB62001	GB00004
GL72D11	Cap Lamp For 12HR Shift	GB00D01	GB72001	GB00004